

TECHNICAL DATA SHEET - Lightweight Cathedral Ceiling Plate for Projectors

peerless[®]
Solid Solutions - Solid Support™

MODEL: ACC912

The **Lightweight Cathedral Ceiling Plate** allows a projector to be mounted to an angled ceiling. It can be used with or without an extension column and offers 120° of adjustment. It is specifically designed for projectors and offers a low-profile, secure solution to complement sleek, lightweight projectors.

Features:

- 120° of adjustment (+/- 60°)
- Fasteners included for mounting to a wood joist
- Offered in black
- Compact, lightweight, and easy to install
- Includes a security slot for a theft resistance

Accessories:

- Fixed and Adjustable length Extension Columns, 1 1/2" NPT ("EXT" or "ADJ" models)
 - Fixed length Extension Columns, 3/4" NPT (FLP Series)*
 - Concrete Anchors (ACC200)
- * Must be used in conjunction with an ACC913, Pipe Reducer (2 may be required)

Dimensions:

Weight:

1.7 lb (0.8 kg)

Shipping weight:

1.9 lb (0.9 kg)

Maximum Load Capacity:

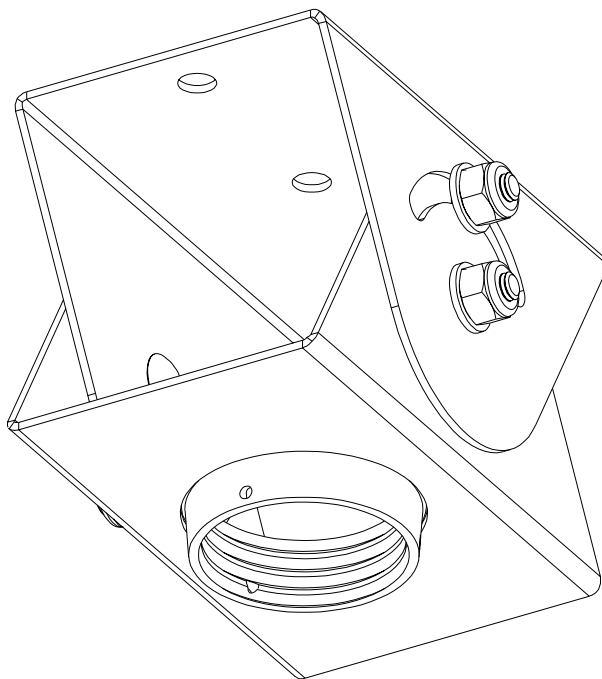
75.00 lb (34.0 kg)

Shipping Carton dimensions:

L = 5.00 in (127mm)

W = 5.00 in (127mm)

H = 5.00 in (127mm)



ARCHITECTS SPECIFICATIONS

The Cathedral Ceiling Plate shall be a Peerless model **ACC912** and shall be attached where indicated on the plans. It shall have a 1-1/2 - 11.5 NPS threaded fitting to accept a Peerless flush mount tube or extension column. It shall be constructed of 12 gauge cold rolled steel and finished in black fused epoxy. Assembly and installation shall be done according to the instructions provided by the manufacturer.

Peerless Industries, Inc.
2300 White Oak Circle
Aurora, IL 60502, USA
info@peerless-av.com (800) 865-2112
www.peerless-av.com

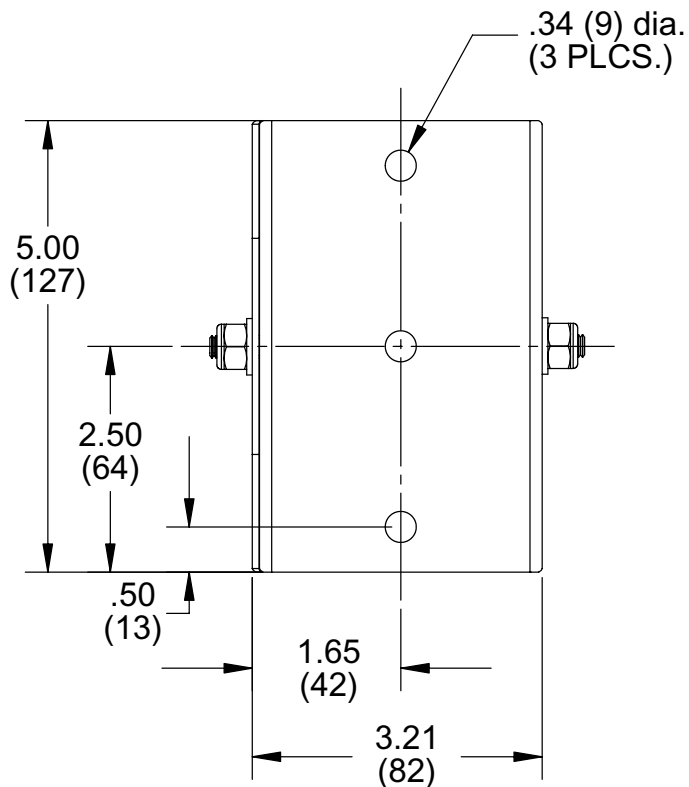
ISSUED: 2004-06-04 SHEET NO: 055-9847-2 (2025-02-10)

©2025 Peerless Industries, Inc. All rights reserved.
Peerless is a registered trademark of Peerless Industries, Inc.
All other brand and product names are trademarks or registered trademarks of their respective owners.

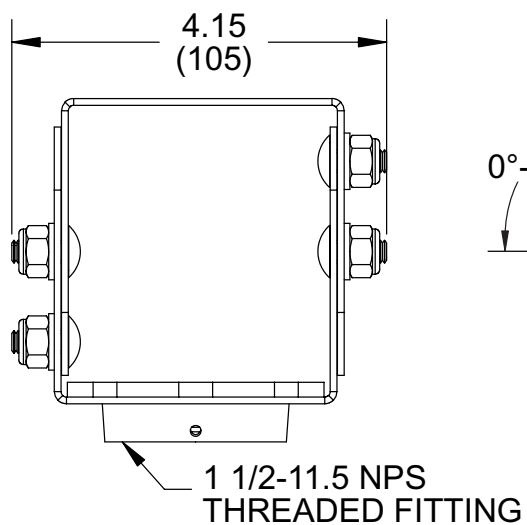
TECHNICAL DATA SHEET

MODEL: ACC912

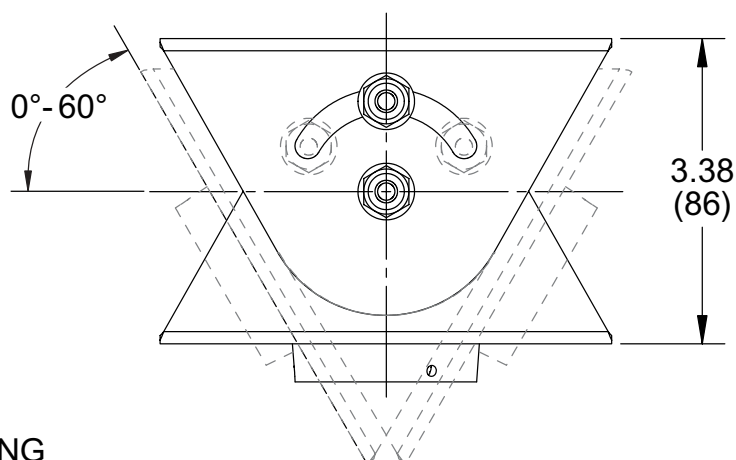
NOTE: ALL DIMENSIONS = INCH (mm)



TOP VIEW



FRONT VIEW



SIDE VIEW