

XHB754-EUK



75" Xtreme™ High Bright Outdoor Display

There has never been an outdoor daylight readable display built to withstand the harsh outdoor elements like the Peerless-AV® Xtreme™ High Bright. Featuring an IP66 Rated design and a patented thermal exhaust system, Xtreme High Bright Outdoor Displays are fully protected against water, dust, moisture and even insects. The display's cover glass is optically bonded, which increases the perceived contrast ratio and cuts down on glare, providing amazing picture quality even in direct sunlight. With an operating temperature range of -35°C to 60°C, Xtreme Displays are designed to thrive year-round outside, without worry of extreme hot or cold temperature waves. This High Bright line of commercial displays offer 3000nits of luminance to combat high ambient lighting conditions, while the ambient light sensor automatically adjusts the display's brightness to optimise the power consumption and enhance the viewing experience. Providing unmatched capabilities, Xtreme High Bright Outdoor Displays are the perfect digital signage or entertainment solution for any professional application.

- Optically bonded, anti-reflective cover glass increases the perceived contrast ratio and cuts down on glare, providing amazing picture quality, even in direct sunlight
- Daylight readable with LED backlight and 4K resolution for a bright, crisp picture
- Includes Quarter Wave Plate polarizer, allowing for portrait and landscape installations
- Fully-sealed, rugged display designed for 24/7 operation in harsh environments year-round
- Remote and Local monitoring, supported via IP addressable user interface, for temperature, humidity, and power draw diagnostics of the display
- Anti-theft, Gyroscopic sensor can be set to specific degrees and tolerances, if the display is moved beyond the set figure an email and text will be sent to the registered user

All Weather Rated (IP66)



Operating Temperature Range:

-35°C to 60°C
(-31°F to 140°F)

AMBIENT LIGHT SENSOR

Automatically adjusts brightness to best match the lighting conditions, which optimizes the display's power consumption and enhances the viewing experience (optional ALS extender accessory available)

HIGH BRIGHT OUTPUT

Offers 3000nits of light output to combat high ambient lighting conditions



FULLY-SEALED DESIGN

IP66 rating prevents the ingress of foreign materials, such as water, dust, moisture and insects, from entering the display

IK10, TEMPERED COVER GLASS

Protects the screen against vandalism and debris

PATENTED THERMAL EXHAUST SYSTEM

Keeps internal components properly cooled in extreme heat

VESA® MOUNTING PATTERN

Provides cost savings and flexibility in outdoor rated mount selection



RoHS FC CE IP UL UKCA

info@peerless-av.com
peerless-av.com

peerless-AV®
Driving Technology Through Innovation

XHB754-EUK 75" Xtreme™ High Bright Outdoor Display

LCD Display

| | |
|----------------------|----------------------------------|
| SCREEN SIZE | 75" Class (74.5" Diagonal) |
| ACTIVE SCREEN AREA | 64.9" x 36.5" (1650 x 928mm) |
| PIXEL PITCH | .429mm x .429mm |
| ASPECT RATIO | 16:9 |
| RESOLUTION | 3840 x 2160 |
| COLOUR DEPTH | 10Bit (1.07 Billion Colors) |
| BRIGHTNESS | 3000cd/m ² |
| COLOR GAMUT | 68% NTSC |
| BACKLIGHT ADJUSTMENT | Automatic (Ambient Light Sensor) |
| CONTRAST RATIO | 1200:1 |
| VIEWING ANGLE | 178° Vertical/Horizontal |
| DISPLAY ORIENTATION | Portrait/Landscape |
| BACKLIGHT | Direct LED |
| RESPONSE TIME | 8ms (Gray to Gray) |
| REFRESH RATE | 60Hz |
| OPERATING TIME | 24/7 |

Display Features

Ambient Light Sensor, Auto Source Switching, Brightness Scheduling, Email Alerting, IP Control, Pixel Shift, Power Scheduling

Mechanical

| | |
|------------------|--|
| SIZE (W x H x D) | 1723.6 x 1002 x 136.1mm (67.86" x 39.45" x 5.36") |
| COLOUR | Black |
| GLASS | IK10 Rated Heat Tempered Anti-Reflective Treatment Optically Bonded Quarter Wave Plate Polarizer |
| VESA® PATTERN | 1400 x 300mm 1400 x 600mm |
| NET WEIGHT | 86.0kg (189.6lb) |

Power

| | |
|-------------------|---|
| AC INPUT | 100 VAC to 240 VAC, 50 to 60 Hz |
| POWER CONSUMPTION | 600W |
| STAND BY POWER | Passive Standby = <0.5W Active Standby = <3.0W |

Input/Output Connections

| | |
|--|---|
| HDMI INPUT | HDMI (x2) 480i ~ 2160p CEC: HDMI 1, 2 ARC: HDMI 2 |
| CVBS INPUT | 3.5mm (x1) 480i |
| DISPLAYPORT INPUT | DP (x1) 480i ~ 2160p |
| YPbPr INPUT | 3.5mm (x1) 480i ~ 1080i |
| ANALOG AUDIO OUTPUT | 3.5mm Headphone Jack (x1) |
| DIGITAL AUDIO OUTPUT | Optical (x1) |
| USB DATA INPUT | USB 2.0 (x1) Multimedia, Software Upgrade |
| RS232 INPUT | 3.5mm TRS Jack (x1) |
| 12VDC 2.5A OUTPUT | 5.5mm (x1) |
| USB POWER 5VDC 2.4A OUTPUT | USB (x1) |
| IR EXTENDER INPUT | 3.5mm (x1) |
| IR REPEATER OUTPUT | 3.5mm (x1) |
| AMBIENT LIGHT SENSOR EXTENDER INPUT | 3.5mm (x1) |
| LAN INPUT | RJ-45 (X1) |

Environmental

| | |
|-----------------------|-------------------------------|
| OPERATING TEMPERATURE | -35°C to 60°C (-31°F - 140°F) |
| IP RATING | IP66 |
| REGULATORY | FCC Class A, cULus, CE, UKCA |

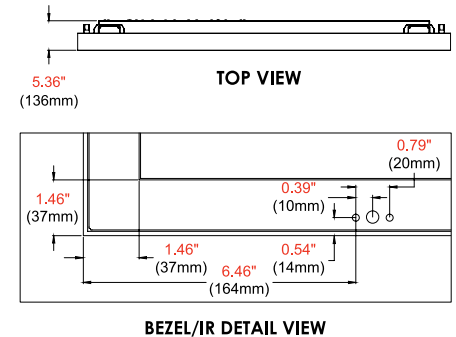
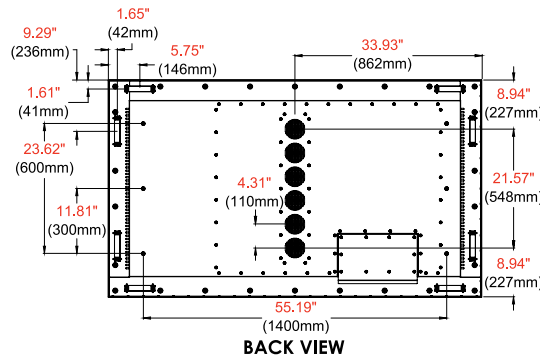
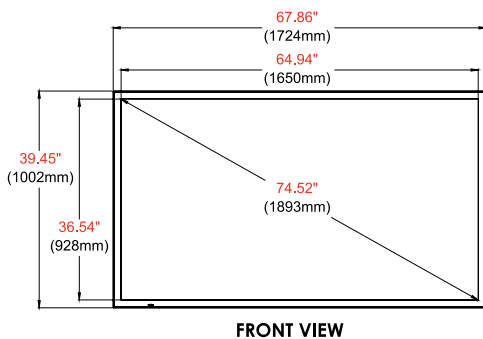
Package Specifications

| | PACKAGE SIZE (W x H x D) | PACKAGE SHIP WEIGHT | PACKAGE UPC CODE | PACKAGE CONTENTS | UNITS IN PACKAGE |
|------------|---|---------------------|------------------|--|------------------|
| XHB754-EUK | 1870 x 1125 x 301mm" (73.62" x 44.29" x 11.85) | 102kg (224.87lb) | 735029348108 | Display, Waterproof Universal Remote Control, User's Guide, 3mm Hex Wrench, Power Cord, IR Extender | 1 |

Accessories

| | |
|---------------------------------|---|
| ESF675: Outdoor Flat Wall Mount | ACCD-ALG: Analog Accessory Kit |
| ACCD-05K: 5 Volt Accessory Kit | ACCD-ALS: Ambient Light Sensor Extender |
| ACCD-12K: 12 Volt Accessory Kit | |

All dimensions = inch (mm)



Architect Specifications

The Xtreme™ High Bright Outdoor Display shall be a Peerless-AV model XHB754-EUK and shall be located where indicated on the plans. Assembly and installation shall be done according to instructions provided by the manufacturer.

Visit peerless-av.com to see the complete line of AV solutions from Peerless-AV, including outdoor displays, kiosks, display mounts, projector mounts, carts/stands, and a full assortment of accessories.

Peerless-AV
2300 White Oak Circle
Aurora, IL 60502
USA
(800) 865-2112
(630) 375-5100

Peerless-AV EMEA
Unit 2 Curo Park
Frogmore, St. Albans
Hertfordshire, AL2 2DD
United Kingdom
+44 (0) 1923 200 100

Peerless-AV B.V.
Papendorpseweg 75
3528 BJ Utrecht
The Netherlands
+31 (0) 70 770 8037

Peerless-AV Latin America
Av. de las Industrias 413
Parque Industrial Escobedo
General Escobedo, N.L.,
México, 66062
+52 (81) 8384-8300

