

PLCM-1 PLCM-1CP



Mounting Pattern
75 x 75,
100 x 100mm*



Max Load
PLCM-1: 225lb (102kg)
PLCM-1-CP: 150lb (68kg)

*Additional adaptor can be purchased separately.

SMARTMOUNT®

Ceiling Mounts

WITH CEILING PLATE & TILT BOX FOR UP TO 90" DISPLAYS

Peerless-AV's SmartMount® PLCM-1 Ceiling Mounts utilize 1.5" NPT extension pipes for versatility, support, and connection. The 1.5" NPT threaded pipes also make it simple to customize each mount to your specific application. The PLCM-1 kit combines the PLCM-2 tilt box and a 36" fixed length 1.5" NPT column. This combination delivers a drop of 36", -5°/+20° of adjustable tilt, and 360° of swivel. When combined with a Peerless-AV® ceiling plate CMJ470 (PLCM-1CP) and a universal or fixed display adaptor plate, it creates the perfect solution for flat panel ceiling mounting in sports facilities, airports, lobbies, or retail environments.

- Peerless-AV® Aluminum Extension Column included, providing a 36" drop
- Simple hook-on display installation
- Integrated cable management protects, contains and conceals cables for a clean, professional installation
- VESA® 75 x 75 and 100 x 100mm mounting pattern provided (display mounting hardware not included)
- Additional display mounting adaptor plates available (sold separately)
- Landscape or portrait orientation



LIGHTWEIGHT ALUMINUM COLUMN
For ease of installation

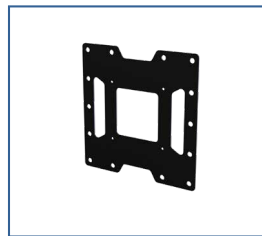
MAXIMUM VIEWING POSSIBILITIES
360° of side-to-side swivel creates endless viewing possibilities from anywhere in the room

EASY ADJUSTMENT
5° back and up to 20° forward tilt helps set the perfect viewing angle

PLCM-1CP



Please visit peerless-av.com/en-us/patents for patent information.



VESA® 200 x 100 & 200 x 200mm Adaptor Plate - ACC450 (sold separately)



Universal I-Shaped Adaptor Plates - PLP-UNM & PLCM-UNL (sold separately)



Dedicated Adaptor Plates - PLP-V models (sold separately)

PLCM-1CP	SmartMount® Ceiling Mount with Ceiling Plate & Tilt Box for up to 90" Displays
PLCM-1	SmartMount® Ceiling Mount with Tilt Box for up to 90" Displays

Product Specifications

	DIMENSIONS (W x H x D)	PRODUCT WEIGHT	LOAD CAPACITY	FINISH	AVAILABLE COLORS
PLCM-1	5.60" x 37.00" x 3.54" (142 x 940 x 90mm)	5.3lb (2.4kg)	225lb (102kg)	Powder Coat	Black
PLCM-1CP	18.00" x 37.75" x 3.54" (457 x 959 x 90mm)	7.8lb (3.5kg)	150lb (68.2kg)		

Package Specifications

	PACKAGE SIZE (W x H x D)	PACKAGE SHIP WEIGHT	PACKAGE UPC CODE	PACKAGE CONTENTS	UNITS IN PACKAGE
PLCM-1	46.25" x 7.75" x 3.63" (1175 x 197 x 90mm)	8.3lb (3.8kg)	735029209171	36" Extension Column, PLCM-2 Tilt Box & Instructions	1
PLCM-1CP	46.80" x 8.63" x 3.88" (1189 x 219 x 99mm)	12.3lb (5.6kg)	735029209188	CMJ470 Ceiling Plate with Mounting Hardware, 36" Extension Column, PLCM-2 Tilt Box & Instructions	

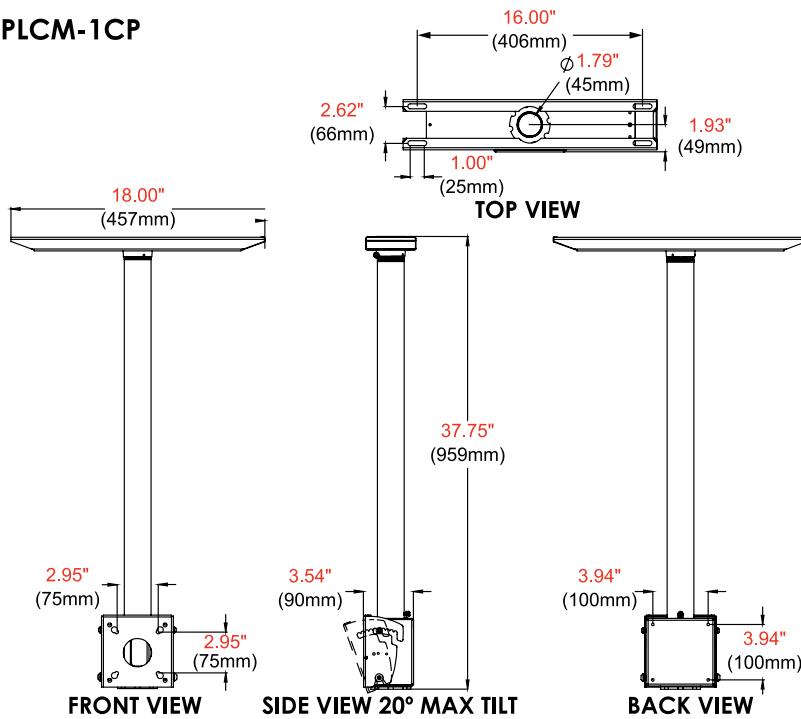
Accessories

ACC, CMJ, DCS, DCT Models: Ceiling Plates
AEC Models: Adjustable Length Extension Columns
EXT Models: Fixed Length Extension Columns

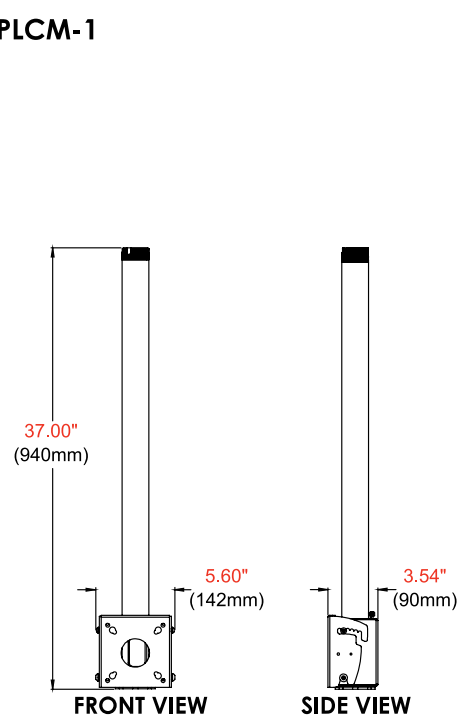
PLP-UNM: Universal I-Shaped Adaptor for 22" to 50" Displays
PLP-UNL: Universal I-Shaped Adaptor for 32" to 90" Displays
PLCM-4: Stackable Tilt Box for up to 90" Displays
ACC450: Adaptor Bracket for up 22" to 40" Displays
PLP-V models: Dedicated Display Adaptor
ACC918: VESA® 75 x 75 & 100 x 100mm Security Fasteners

All dimensions = inch (mm)

PLCM-1CP



PLCM-1



Architect Specifications

The Smartmount® Ceiling Mount shall be a Peerless-AV model PLCM-1(CP) and shall be located where indicated on the plans. Assembly and installation shall be done according to instructions provided by the manufacturer.

Visit peerless-av.com to see the complete line of AV solutions from Peerless-AV, including outdoor displays, kiosks, display mounts, projector mounts, carts/stands, and a full assortment of accessories.

Peerless-AV
 2300 White Oak Circle
 Aurora, IL 60502
 USA
(800) 865-2112
(630) 375-5100

Peerless-AV EMEA
 Unit 2 Curo Park
 Frogmore, St. Albans
 Hertfordshire, AL2 2DD
 United Kingdom
+44 (0) 1923 200 100

Peerless-AV B.V.
 Papendorpseweg 75
 3528 BJ Utrecht
 The Netherlands
+31 (0) 70 770 8037

Peerless-AV Latin America
 Av. de las Industrias 413
 Parque Industrial Escobedo
 General Escobedo, N.L.,
 México, 66062
+52 (81) 8384-8300

