

STS680



	<b>Mounting Pattern</b>		<b>Max Load</b>
	200 x 100 to 1000 x 600mm		250lb (113.4kg)

**TECHNOLOGY PARTNERS**

CRESTRON FLEX

**SURGE X** / **AMETEK DISPLAYPAK+**

- Compatible with the Crestron® Flex UC Brackets with ACC-STSCF1 accessory
- Compatible with SurgeX® DisplayPak+ with ACC-STSPDU accessory
- ADA compliant when used with displays 2.2" (56mm) thick or less
- 1.8" - 12.8" (46-325mm) display extension allows for post-installation servicing and component storage behind display
- Universal mount fits displays with mounting patterns 200 x 100 to 1000 x 400mm (1000 x 600mm with included bolt-on extenders)
- Optional IncreLok™ feature offers fixed tilt angles of 0°, 2.5°, 5°, 7.5°, 10°, 12.5° and 15°
- ±1/2" (12mm) of post-installation leveling
- 2° of plumb adjustment to keep displays level on uneven walls
- Optional accessory: Universal AV Component Mount (ACC-UCM3) allows components to be installed, configured and cabled off-site, and quickly attaches to the mount, which reduces on-site installation time
- Available bundled models:  
STS680-1UCM3 – STS680 + (1) ACC-UCM3  
STS680-2UCM3 – STS680 + (2) ACC-UCM3

# SMARTMOUNT®

## Universal Ultra-Slim Scissor Wall Mount

FOR 49" TO 120"+ DISPLAYS\*

Peerless-AV's SmartMount® Universal Scissor Wall Mount (STS680) is the ideal solution for UC/VC applications and recessed wall installations. Designed for convenience, it provides easy access to components stored behind the display. The mount's extendable adaptors allow the display to be pulled up to 12.8" (325mm) from the wall and locked securely in place once installation or maintenance is complete. With its Hook-and-Hang™ feature, installation is quick and simple, while the open access design offers maximum wall space flexibility for outlets and in-wall boxes. Post-installation leveling and side-to-side adjustability ensure the display is perfectly aligned in any corporate, digital signage, or hospitality environment.

**HOOK-AND-HANG™ INSTALLATION**

Display is easily installed by a single person



**OPEN ACCESS**

Provides the maximum open area on the wall to allow flexible placement for outlets and/or in-wall boxes

**HORIZONTAL & VERTICAL ADJUSTMENT**

Post-installation leveling and side-to-side adjustability features allow fine-tuning of the mounted display for the perfect display positioning



**INCRELOK™ TILT TECHNOLOGY**

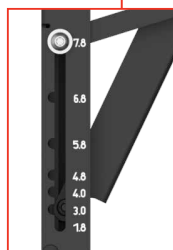
Lock the tilt angle for the perfect view and prevent tampering or undesired adjustment

**AUTOMATIC SPRING LOCKS WITH QUICK RELEASE CORDS**

Simplify the installation and service of the display

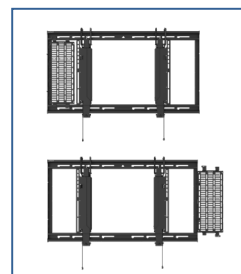
**EXTENDABLE ADAPTORS**

Display can be pulled 12.8" (325mm) from the wall to access components and the back of the display



**INCRELOK™ DEPTH ADJUSTMENT**

Lock the latching depth of the mount from 1.8"-7.8" (46-198mm) to provide room for equipment mounted behind the display



Shown With Optional ACC-UCM3



Please visit [peerless-av.com/en-us/patents](http://peerless-av.com/en-us/patents) for patent information.

\*This display size range is simply a guideline for product selection. Displays larger than the screen size range may still be compatible as long as they fall within the VESA® pattern and max weight of the Peerless-AV® product.

**STS680** SmartMount® Universal Ultra-Slim Scissor Wall Mount for 49" to 120"+ Displays

**Product Specifications**

	DIMENSIONS (W x H x D)	PRODUCT WEIGHT	LOAD CAPACITY	FINISH	AVAILABLE COLORS
<b>STS680</b>	40.2" x 28.3" x 1.8"-12.8" (1021 x 719 x 46-325mm)	30.1lb (13.7kg)	250lb (113.4kg)	Scratch Resistant Fused Epoxy	Black

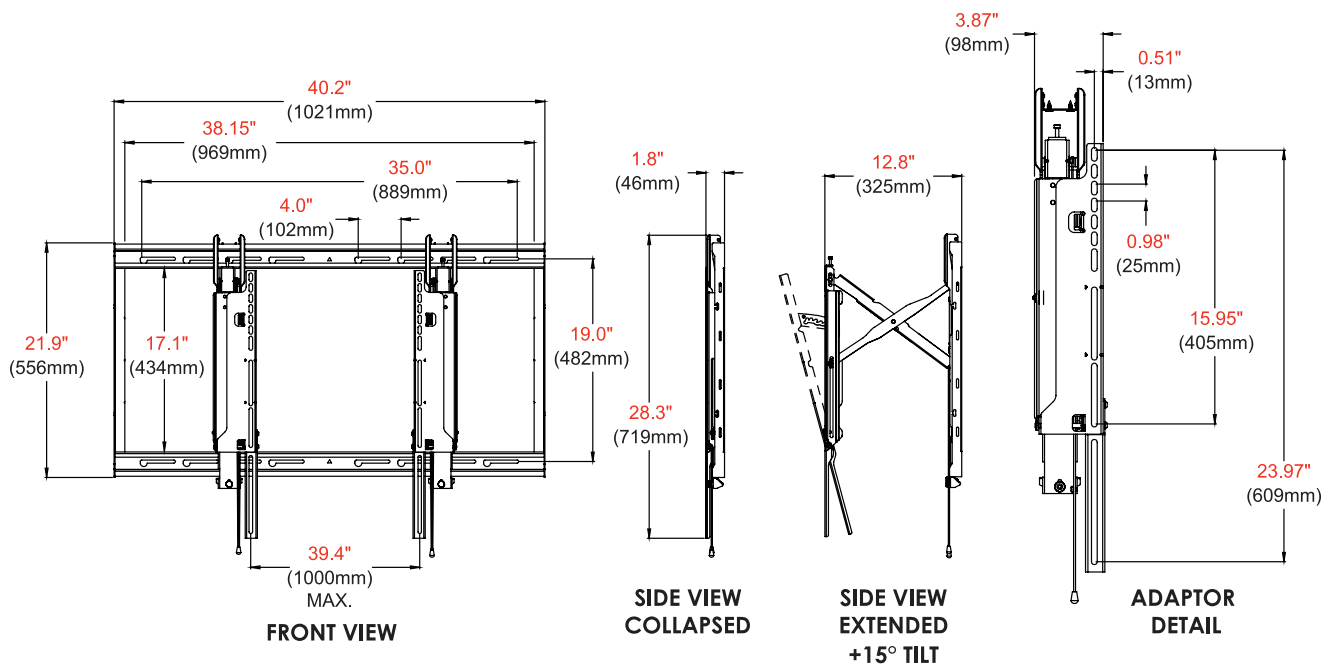
**Package Specifications**

	PACKAGE SIZE (W x H x D)	PACKAGE SHIP WEIGHT	PACKAGE UPC CODE	PACKAGE CONTENTS	UNITS IN PACKAGE
<b>STS680</b>	41.70" x 23.90" x 3.10" (1060 x 606 x 80mm)	38.7lb (17.5kg)	735029358923	Wall Mount, Wall and Display Installation Hardware, Installation Instructions	1

**Accessories**

- ACC-SB2:** Universal UC/VC Soundbar Mount
- ACC-STSCF1:** STS680 Creston® Flex 260/200 Mounting Bracket
- ACC-STSLB:** STS680 Cable Management Lacing Bar
- ACC-STSPDU:** STS680 SurgeX® DisplayPak+ Mounting Bracket
- ACC-STSP TZ:** STS680 Universal Pan Tilt Zoom Camera Mount
- ACC-STSVCB:** STS680 Universal Video Conferencing Bar Mount
- ACC-UCM3:** STS680 Universal AV Component Mount
- ACC-V1500X:** Accessory Adaptor Rails for VESA® 1200 or 1500mm Wide Mounting Patterns
- ACC415:** 4-Pack Metal Stud Fastener Kit
- ACC615:** 6-Pack Metal Stud Fastener Kit
- ACC925:** Security Fasteners for V200x200 to V800x400 Mounts
- ACSBR1:** Universal Sound Bar Mounting Kit
- ACSBR2:** Universal Sound Bar Mount
- IBA4-W:** Easy Mount Recessed Low Voltage Cable Plate
- IB14X9-W:** 14"x9" In-Wall Box
- IB14X9-AC-W:** 14"x9" In-Wall Box with Duplex Surge Protector
- IB14X14-W:** 14"x14" In-Wall Box
- IB14X4-AC-W:** 14"x14" In-Wall Box with Duplex Surge Protector

All dimensions = inch (mm)



**Architect Specifications**

The SmartMount® Universal Ultra-Slim Scissor Wall Mount shall be a Peerless-AV model STS680 and shall be located where indicated on the plans. Assembly and installation shall be done according to instructions provided by the manufacturer.

Visit [peerless-av.com](http://peerless-av.com) to see the complete line of AV solutions from Peerless-AV, including outdoor displays, kiosks, display mounts, projector mounts, carts/stands, and a full assortment of accessories.

**Peerless-AV**  
2300 White Oak Circle  
Aurora, IL 60502  
USA  
**(800) 865-2112**  
**(630) 375-5100**

**Peerless-AV EMEA**  
Unit 2 Curo Park  
Frogmore, St. Albans  
Hertfordshire, AL2 2DD  
United Kingdom  
**+44 (0) 1923 200 100**

**Peerless-AV B.V.**  
Papendorpseweg 75  
3528 BJ Utrecht  
The Netherlands  
**+31 (0) 70 770 8037**

**Peerless-AV Latin America**  
Av. de las Industrias 413  
Parque Industrial Escobedo  
General Escobedo, N.L.,  
México, 66062  
**+52 (81) 8384-8300**

